

SCHAEFER 303



A N I N D U S T R Y L E A D E R

Schaefer Yachts is an industry leader in the design and construction of performance yachts between 30 and 83 feet. Boasting one of the biggest and most technologically advanced shipyards in South America, Schaefer Yachts has been transforming the marine industry for over 29 years. More than three thousand boats have been delivered worldwide. The shipyard has earned an exceptional reputation for setting high quality manufacturing standards with our proprietary and highly advanced production process. The shipyard's cutting-edge technology and eagle eye for details guarantee a vast range of vessels made with extreme precision. Schaefer Yachts is proud to be a shipyard that attends to the most demanding markets in the world.





SCHAEFER
YACHTS



SCHAEFER 303







PHANTOM 303



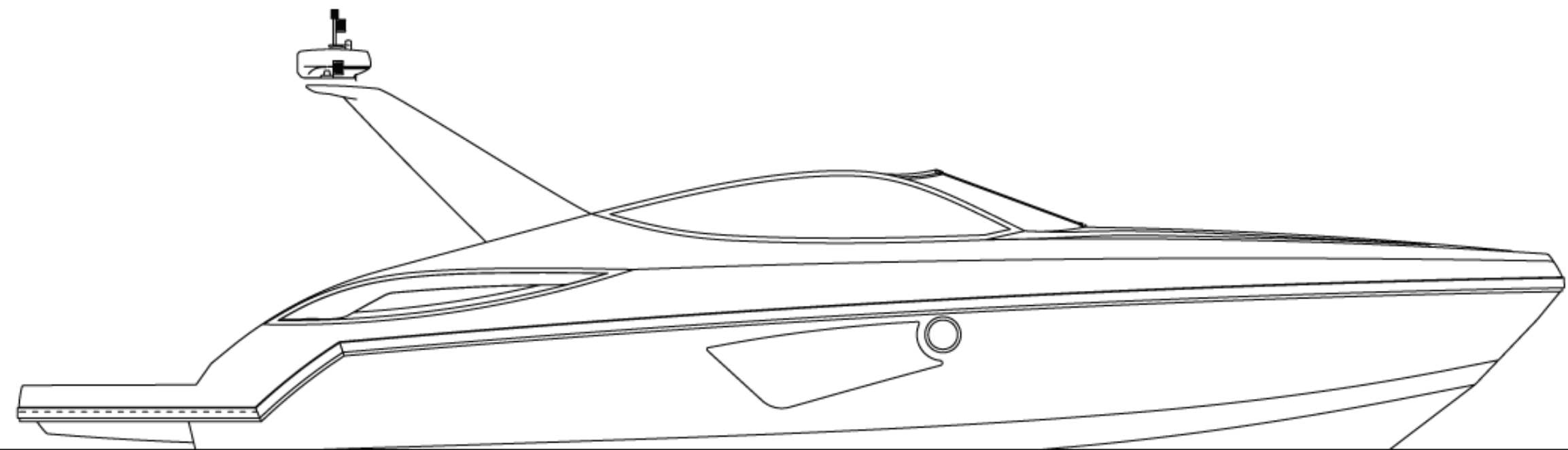




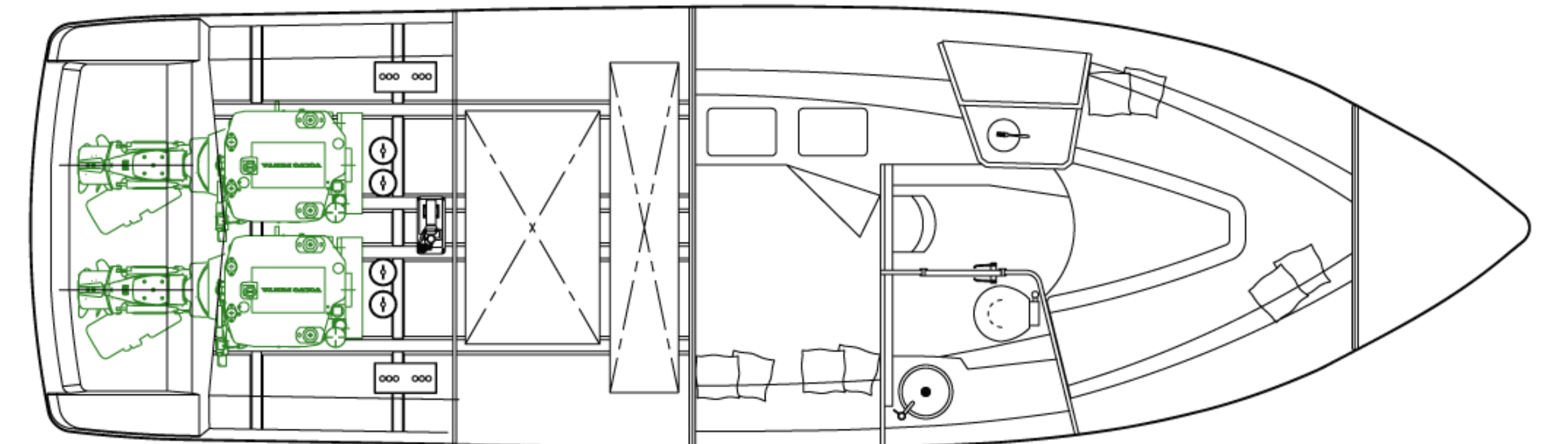
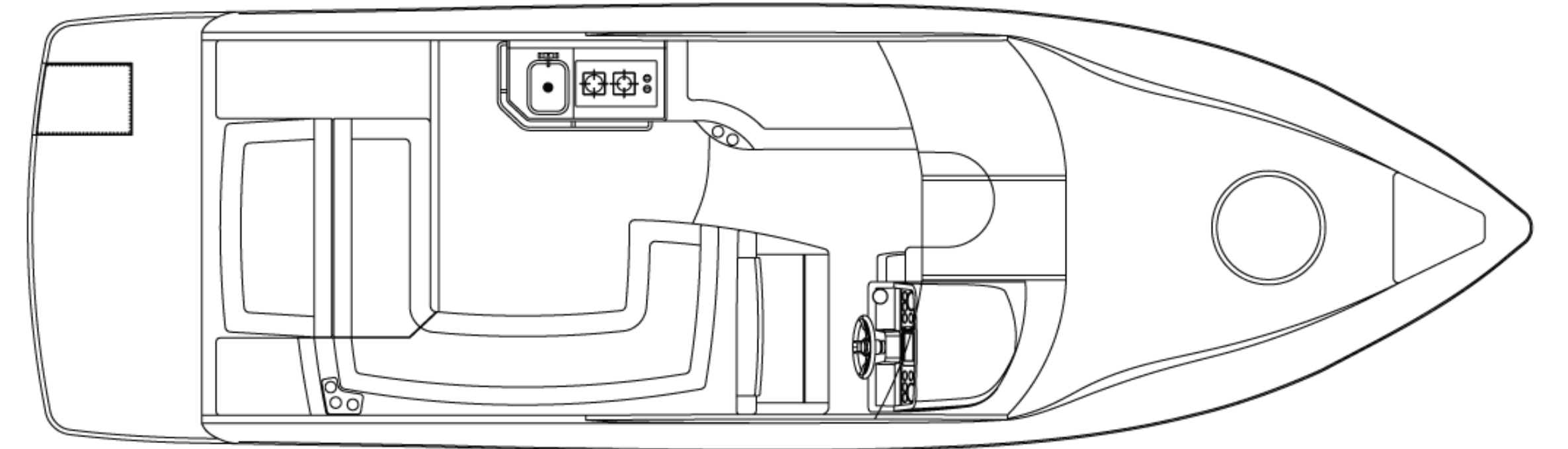




SCHREFER 303



SCHAEFER 303



SCHAEFER 303

Max. length (including pulpit and platform): 9.78 m (32.1')

Max beam (including guardrails): 2.87 m (9.4')

Max. draught: 0.89 m (2.9')

Light craft mass: 3,295 kg (7,264 lbs)

Deadrise angle: 20°

Max. speed*: 33.9 knots

Cruising speed*: 26.7 knots

Fuel consumption at cruising speed**: 70 L/h (18 Gal/h)

Range: 92 N.M.

Fresh water capacity: 100 L (26 Gal)

Fuel capacity: 350 L (92 Gal)

Air draught: 2.96 m (9.7')

count extra 5' for clearance when passing under bridges.

Passenger capacity(day): 10

Passenger capacity(night): 4

Designer: Marcio Schaefer

V33 - 303 - 365 - 375 - 400 - 510
FLY - 400 - 510 - 600 - 660 - 770 - 25M

schaeferyachts.com

